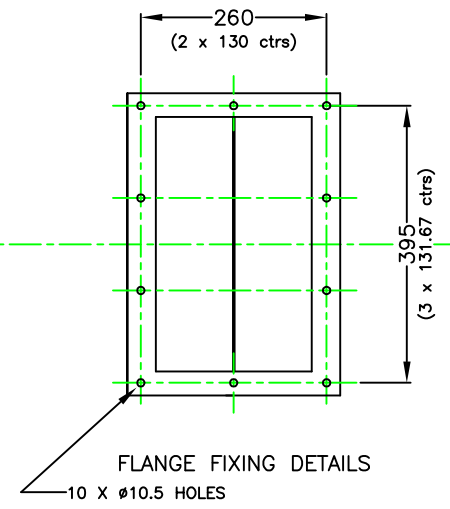
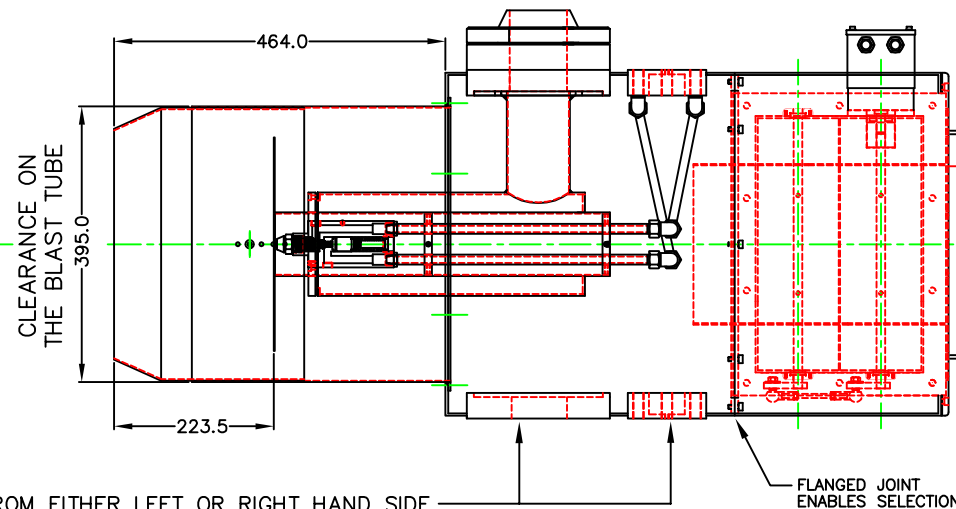
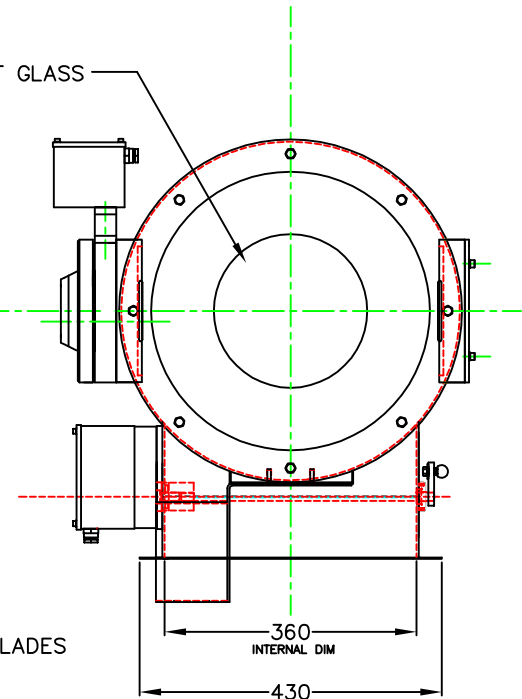
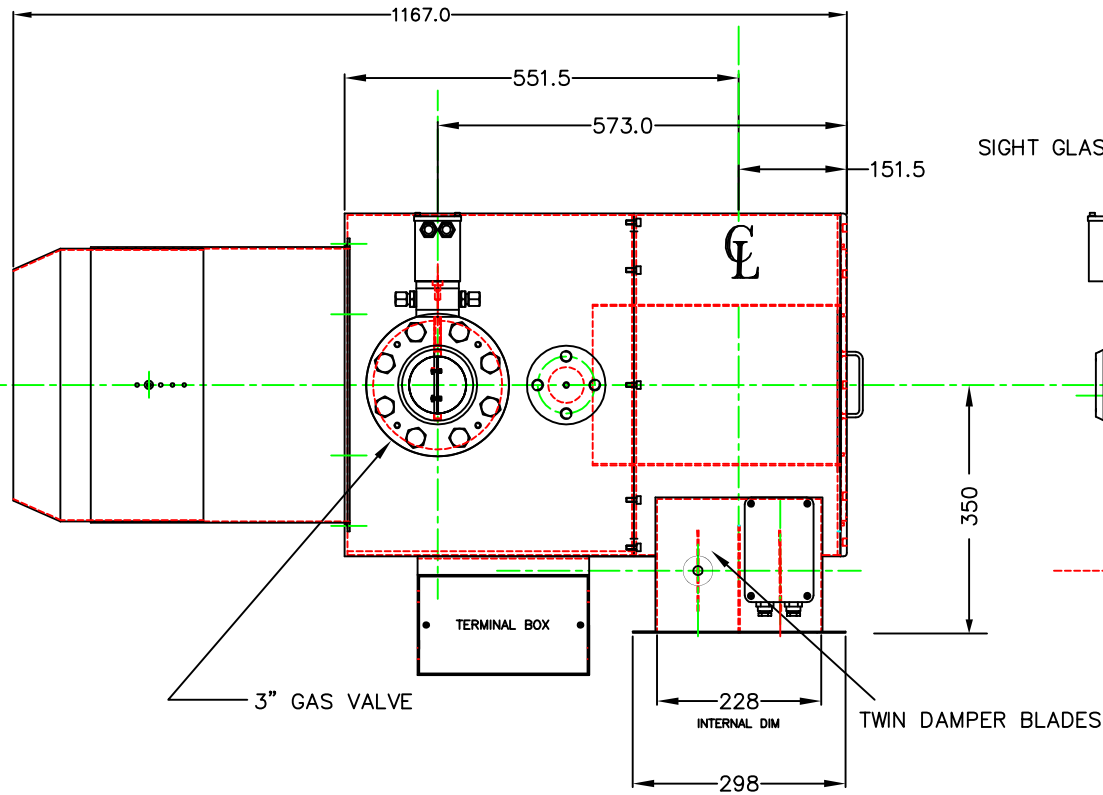
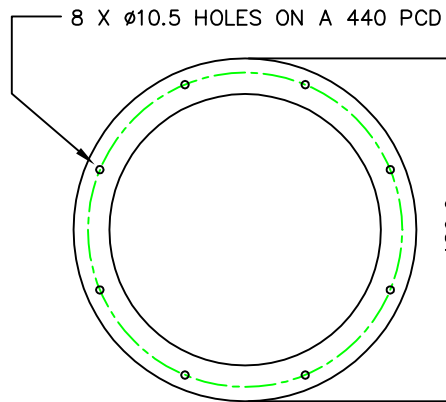


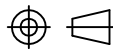
FLANGE FIXING DETAILS



NOTE GAS AND OIL ENTRY CAN BE FROM EITHER LEFT OR RIGHT HAND SIDE

FLANGED JOINT
ENABLES SELECTION OF AIR INLET
THROUGH 22.5° ROTATIONAL STEPS

QUANTITY	ISSUE	DATE	AUTH.	ISSUE	DATE	AUTH.
	1	29:10:03	N.P.G.			


 THIRD ANGLE
 IF IN DOUBT ASK

DRAWING TITLE
GENERAL ASSEMBLY
BURNER TYPE LCNO62



CLIENT/SITE -		
RECORD DRAWING		
SCALE - N.T.S.	DATE - 29:10:03	JOB NO.-
DRAWN - N.P.G.	CHECKED -	DRG NO.- LC62GA1