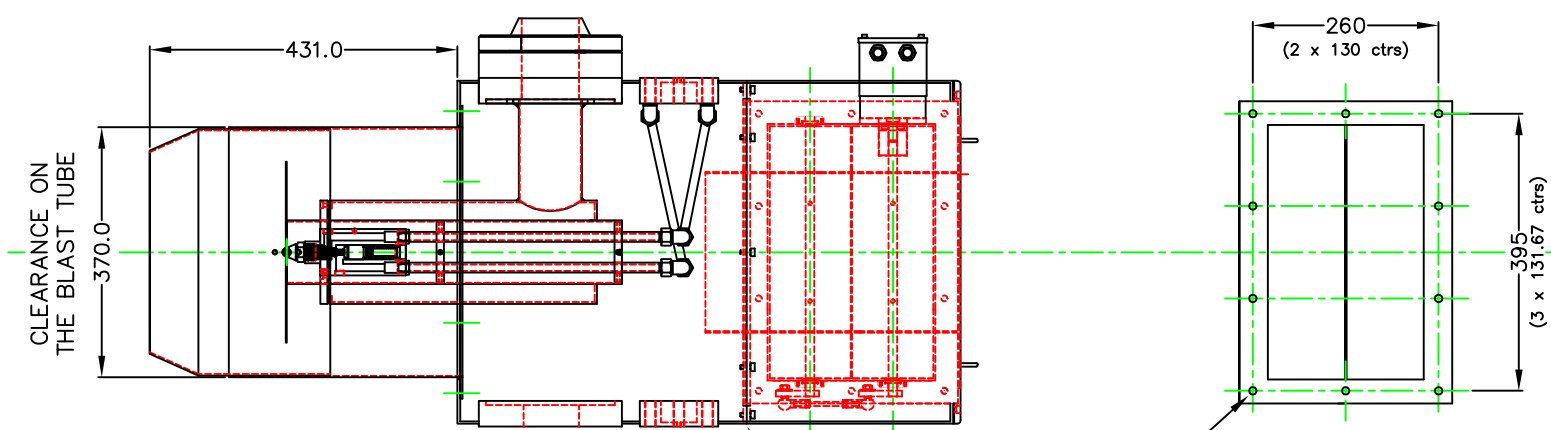
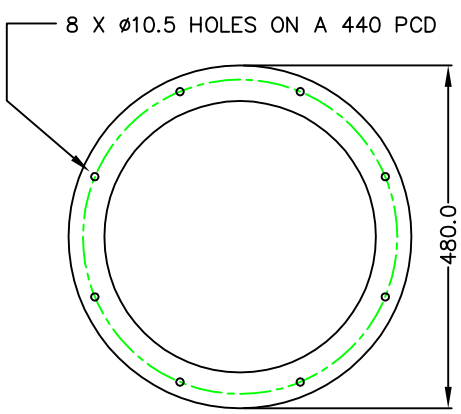


FLANGE FIXING DETAILS



\*NOTE\* GAS AND OIL ENTRY CAN BE FROM EITHER LEFT OR RIGHT HAND SIDE

QUANTITY	ISSUE	DATE	AUTH.	ISSUE	DATE	AUTH.	SPECIAL NOTES:	DRAWING TITLE	CLIENT/SITE -	
	1	22:10:03	N.P.G.				THIRD ANGLE IF IN DOUBT ASK	GENERAL ASSEMBLY BURNER TYPE LCN053	RECORD DRAWING	
						SCALE - N.T.S.			DATE - 22:10:03	JOB NO.-
						DRAWN - N.P.G.			CHECKED -	DRG NO.- LC53GA4

