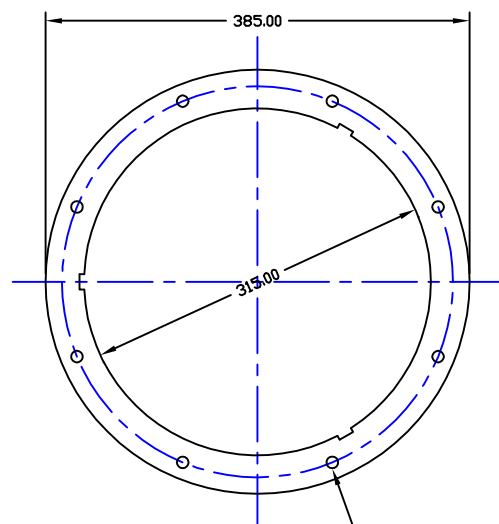
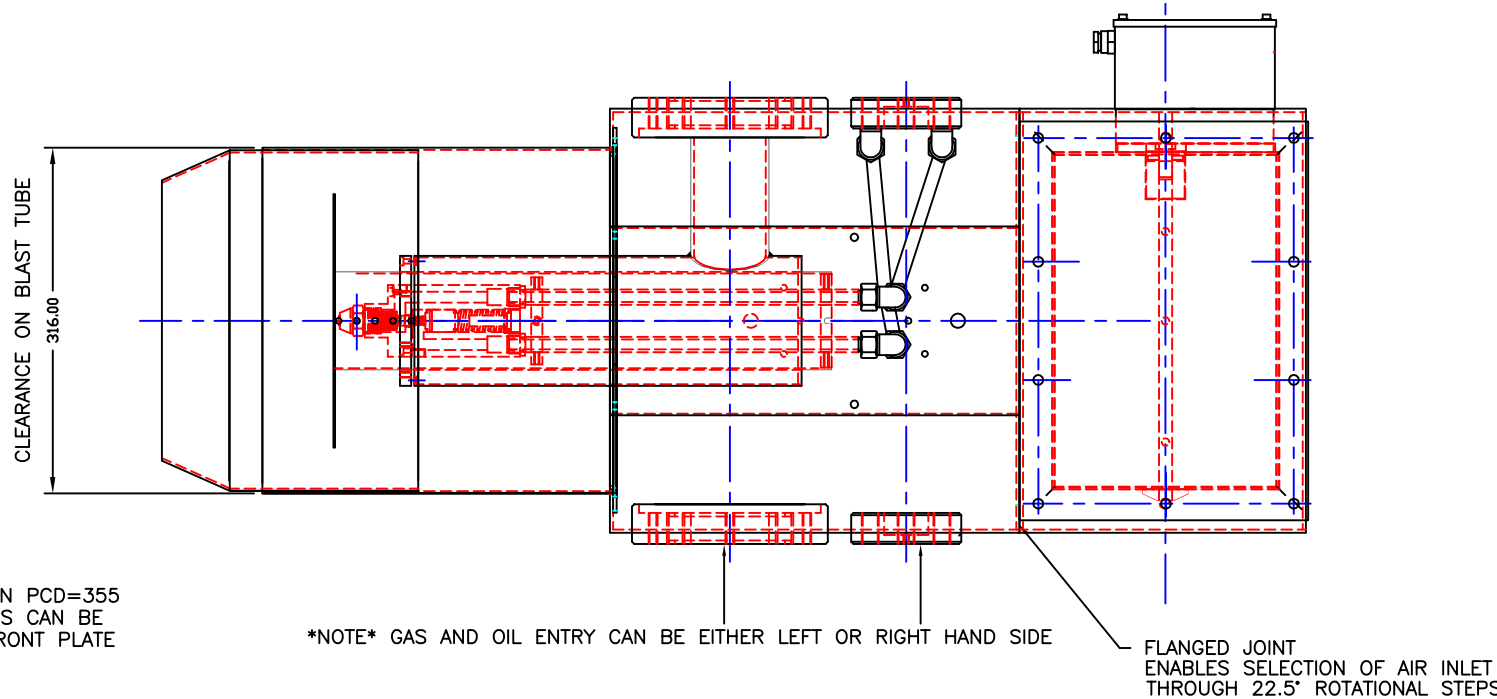


BURNER TO BOILER FIXING DETAILS

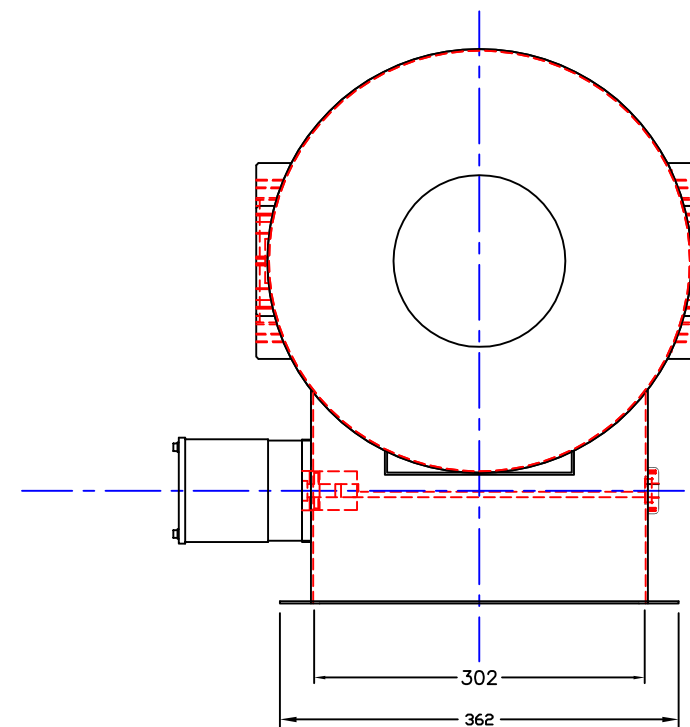


8 X Ø10.5mm HOLES ON PCD=355
 ATERNATIVLEY M10 STUDS CAN BE
 THREADED TO BOILER FRONT PLATE



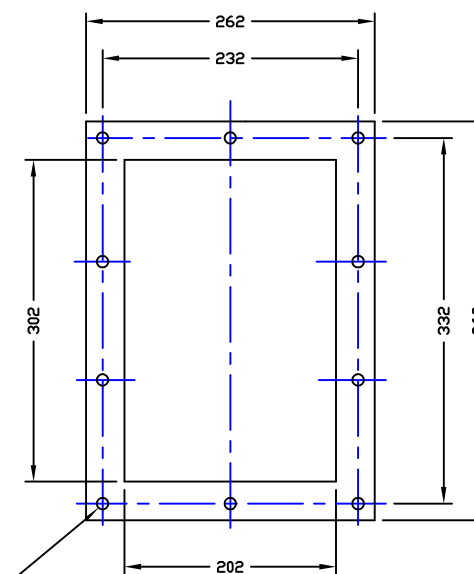
NOTE GAS AND OIL ENTRY CAN BE EITHER LEFT OR RIGHT HAND SIDE

FLANGED JOINT
 ENABLES SELECTION OF AIR INLET
 THROUGH 22.5° ROTATIONAL STEPS

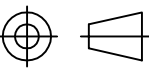


10 X Ø10.5 HOLES

FLANGE FIXING DETAILS



QUANTITY	ISSUE	DATE	AUTH.	ISSUE	DATE	AUTH.
	1	29:08:00	N.P.G.	5	07:11:01	N.P.G.
	2	26:02:01	N.P.G.	6	16:07:02	N.P.G.
	3	25:07:01	N.P.G.	7	16:07:05	N.P.G.
	4	05:11:01	N.P.G.	8	16:01:06	N.P.G.

SPECIAL NOTES:
 THIRD ANGLE
 IF IN DOUBT ASK

DRAWING TITLE
 GENERAL ASSEMBLY
 BURNER TYPE LCNO 44



CLIENT/SITE -
 RECORD DRAWING

SCALE - N.T.S.	DATE - 29:08:00	JOB NO.-
DRAWN -	CHECKED - R.A.	DRG NO.- LC44GA