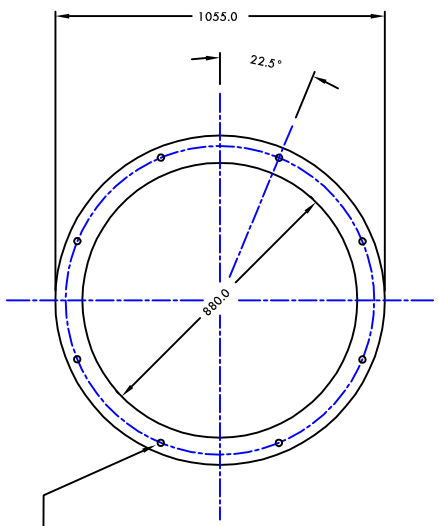


8" 150lb GAS VALVE WITH A 8" WELD NECK FLANGE SUPPLIED

SIGHT GLASS

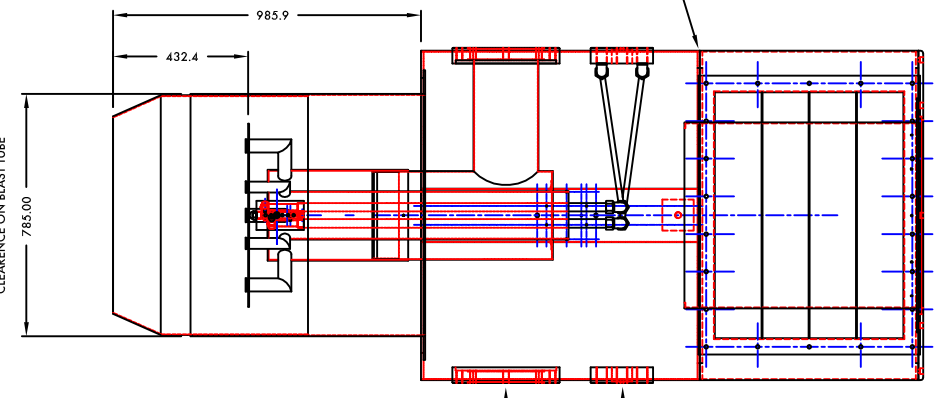
**BOILER MOUNTING DETAILS**



8 OFF □ 21mm MOUNTING HOLES  
ON A □ 998.5mm P.C.D.

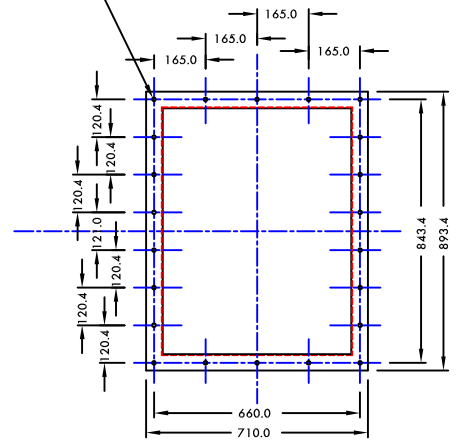
ROTATIONAL FLANGE:  
ENABLES BACK SECTION INCLUDING AIR INLET  
TO BE ROTATED THROUGH 360° IN 22.5° STEPS.

CLEARANCE ON BLAST TUBE  
785.00



NOTE: GAS AND OIL CONNECTIONS CAN ENTER FROM EITHER SIDE.

22 OFF □ 12mm HOLES.



ISSUE	DATE	AUTH.	AMD.No
1	05:01:04	N.P.G.	

SPECIAL NOTES:  
 THIRD ANGLE  
IF IN DOUBT ASK

DRAWING TITLE  
**LC263  
GENERAL ASSEMBLY.**

CLIENT/SITE- <b>RECORD DRAWING</b>		
SCALE- 1:6(A0)	DATE- 05:01:04	JOB NO-
DRAWN- N.P.G.	CHECKED-	DRAWING NO- W263001/A